



LUMI

Rough-In Valve

ASR7300-00



### DESCRIPTION

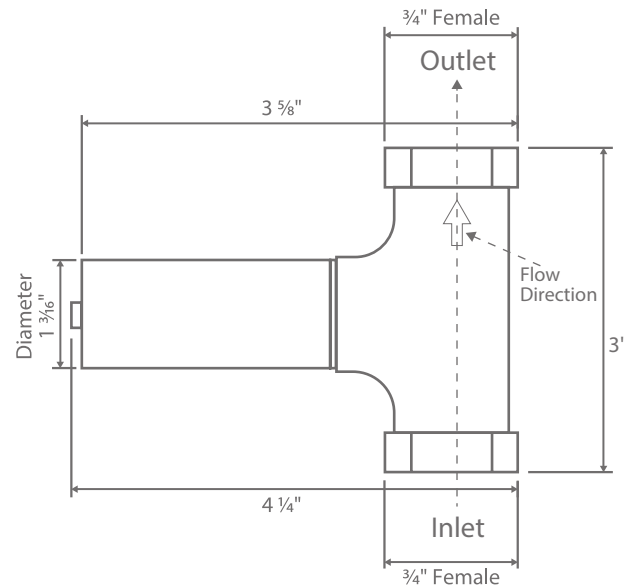
- Compatible with Most Showers
- 3/4 Valve
- Volume Control Rough-In
- One Inlet, One Outlet

### DIMENSIONS

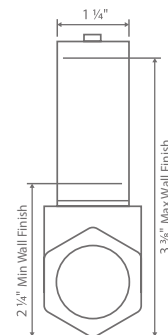
- Width: 4 1/4"
- Depth: 3"
- Height: 3 3/8"

### ADDITIONAL NOTES

SIDE VIEW



FRONT VIEW



## 3/4" - Volume Control - Rough-In Valve

Installation Manual

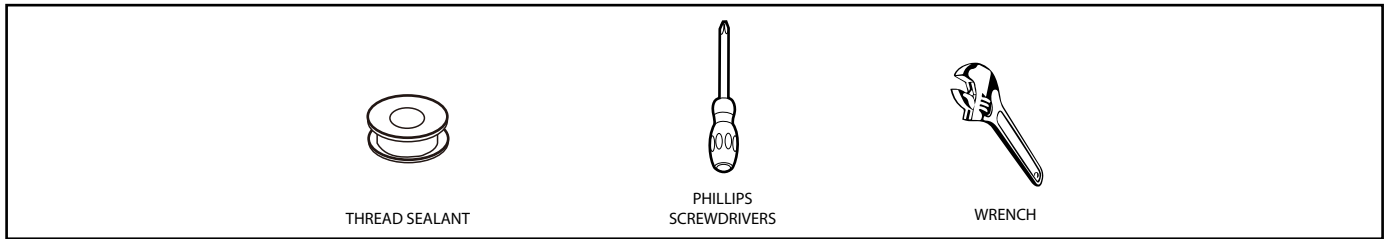


**Please read notices on following page**

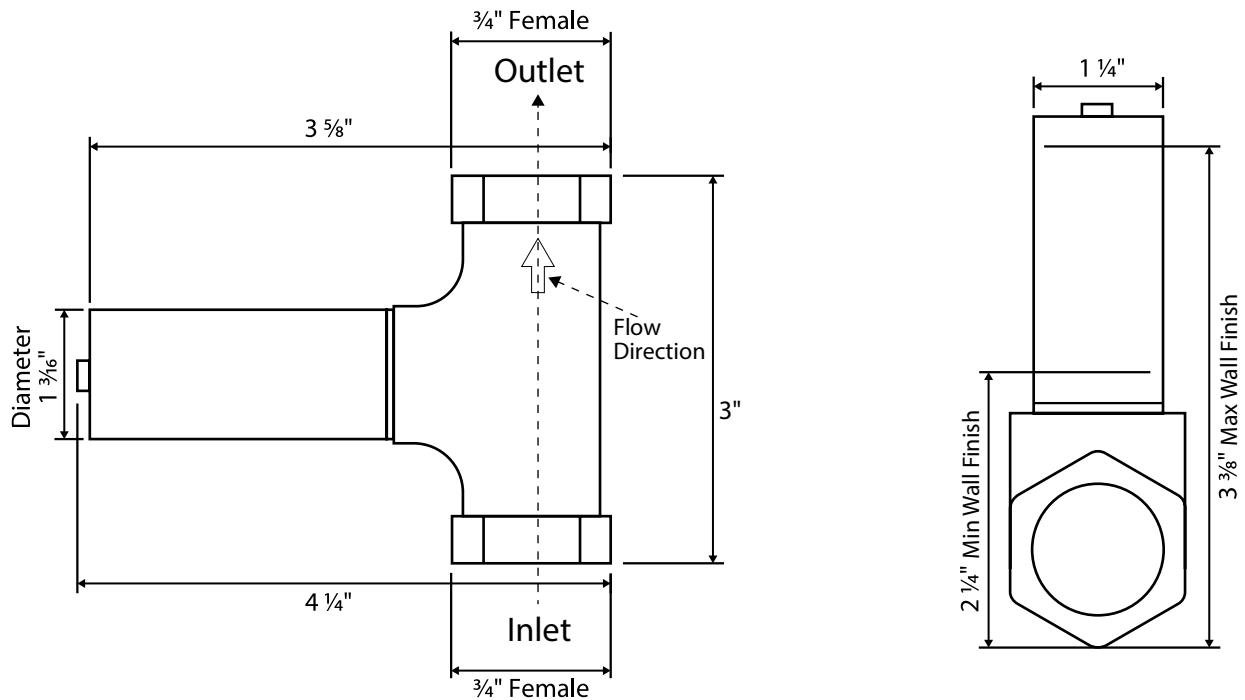
---

**PRODUCT SPECIFICATIONS ARE SUBJECT TO CHANGE WITHOUT NOTICE.**  
Dimensions of fixtures are approximate and may vary  $\pm 6\text{mm}$  (1/4"). Structure measurements must be verified against the unit to ensure proper fit.

## Materials and Tools Required



## Important Measurements



## GENERAL INSTRUCTIONS

- Read this guide carefully and completely before proceeding.
- It is recommended that you wear safety glasses during the installation.

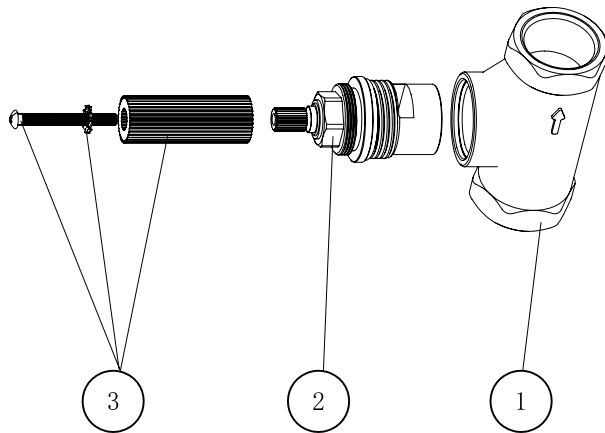
## NOTICE

- For best results, we recommend that a licensed, professional plumber installs this unit.
- Please read over these instructions thoroughly before beginning installation.
- Make sure that you have all tools and supplies needed to complete the installation.
- Please check local building code.
- **IF SOLDERING, REMOVE CARTRIDGES TO PREVENT DAMAGE**
- Keep receipts (proof of purchase and place of purchase) for this product. The receipt is required should it be necessary to request warranty parts.

## MAINTENANCE & CARE FOR YOUR AURA PRODUCTS

- To clean your fixtures, when necessary, wash with a nonabrasive wet soapy cloth. Then wipe dry with a soft towel or cloth.
- Do not use any abrasive chemical or corrosive powders, detergents, window cleaners, disinfectants or any other strong cleaners on your Product as they will destroy the finish and therefore void the warranty

## Parts List

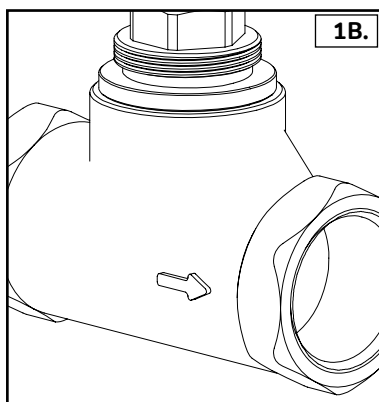
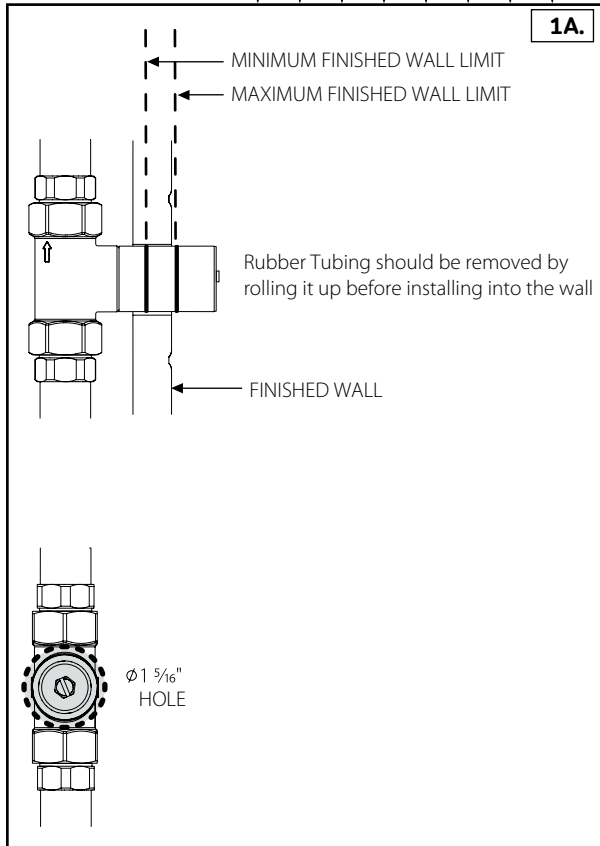


ITEM	DESCRIPTION	SKU	QTY
1	¾" Volume Control Rough-In		1
2	¾" Volume Control Cartridge	AP120-114	1
3	Plastic Extention, Screw and Washer	AP120-206	1

## Valve Installation Instructions

### CAUTION!

If soldering: remove cartridge before installation, then flush the valve without cartridge after the installation.



### PLEASE NOTE!

Flow direction on the valve is clearly marked with a clear and distinct arrow engraved on the outlet.

### 1A. Installing Valve:

Use indication sign (Min - Max) on the black rubber cover as the point of finished wall, then remove and disregard it after finish.

### 1B. Check Flow Direction:

Rough-In valve should be installed with the direction of flow as indicated on body with an arrow

**1C.** Use the waterline high-density thread seal tape (Pink Teflon Tape), when connecting male thread to the female thread inlet and outlet. Thread compound can be used for extra sealant.

**NOTE: DO NOT CUT THE RUBBER TUBING WITH A KNIFE. DAMAGE TO THE CHROME SLEEVE IS A POSSIBILITY**

