



DESCRIPTION

- Compatible with Most Showers
- 3/4 Valve
- Two Inlets, Three Outlets

DIMENSIONS

- Width: 6 3/4"
- Depth: 5 1/8"
- Height: 6 1/4"

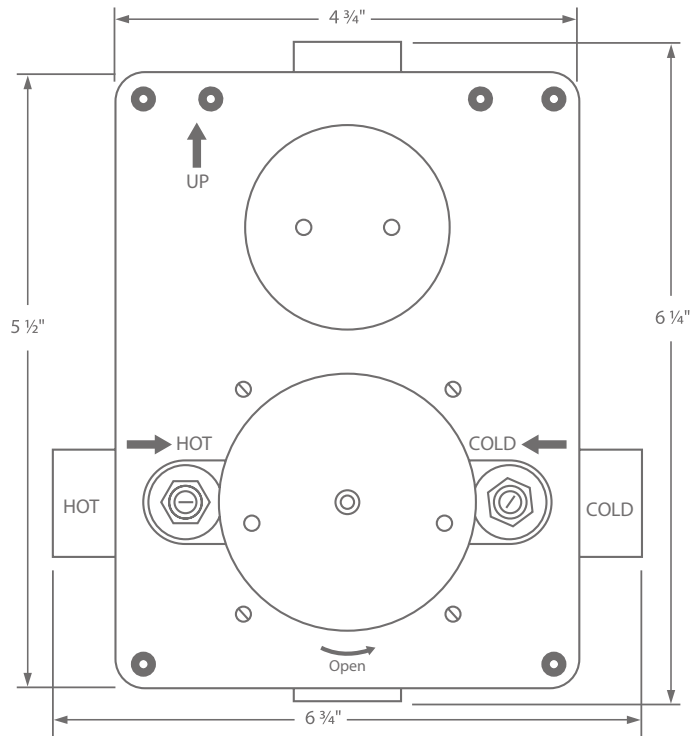
ADDITIONAL NOTES

ELITA

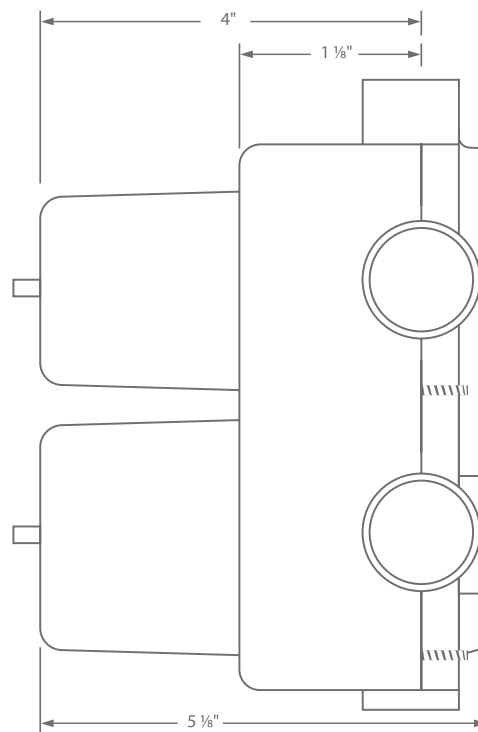
Rough-In Valve

ASR1203-00

FRONT VIEW



SIDE VIEW



3/4" - 3 Way - No Share - Thermostatic Shower Valve

Installation Manual

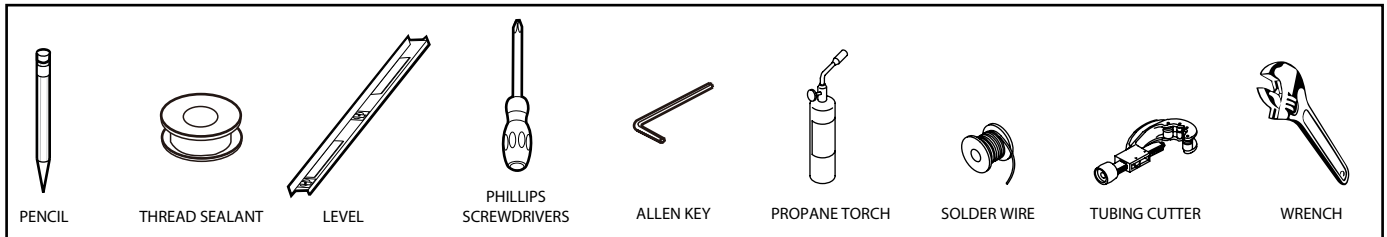


Please read notices on following page

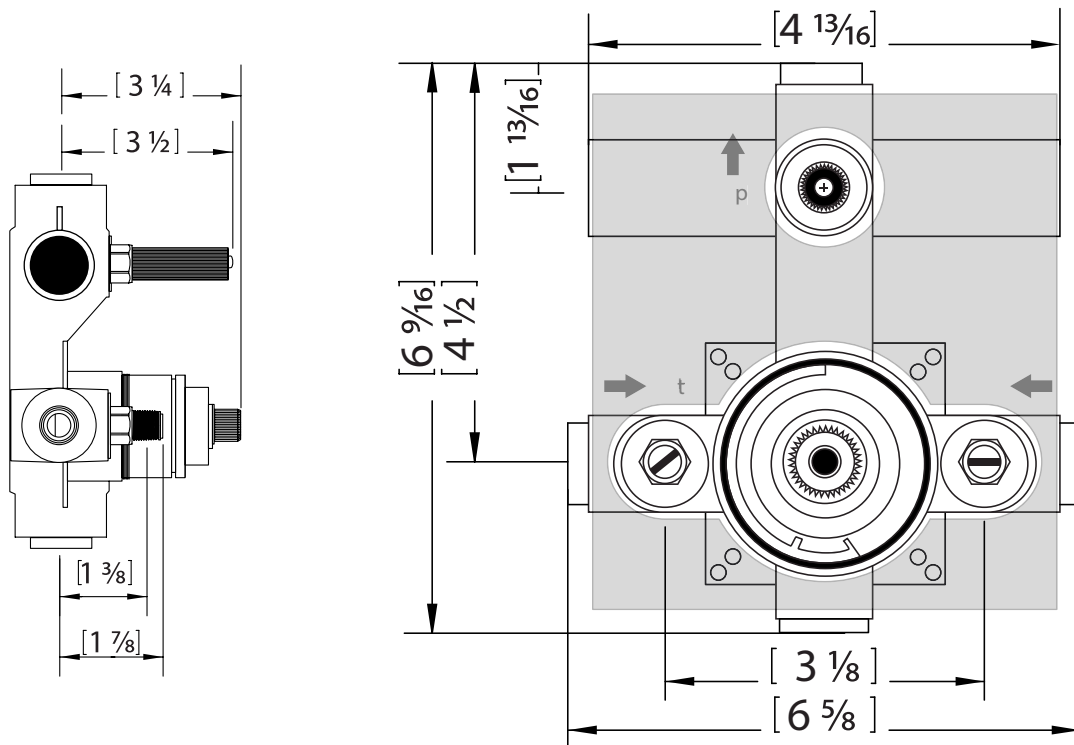
PRODUCT SPECIFICATIONS ARE SUBJECT TO CHANGE WITHOUT NOTICE.

Dimensions of fixtures are approximate and may vary $\pm 6\text{mm}$ (1/4"). Structure measurements must be verified against the unit to ensure proper fit.

Materials and Tools Required



Important Measurements



GENERAL INSTRUCTIONS

- Read this guide carefully and completely before proceeding.
- It is recommended that you wear safety glasses during the installation.

NOTICE

- For best results, we recommend that a licensed, professional plumber installs this unit.
- Please read over these instructions thoroughly before beginning installation.
- Make sure that you have all tools and supplies needed to complete the installation.
- Please check local building code.
- **IF SOLDERING, REMOVE CARTRIDGES TO PREVENT DAMAGE**
- Keep receipts (proof of purchase and place of purchase) for this product. The receipt is required should it be necessary to request warranty parts.

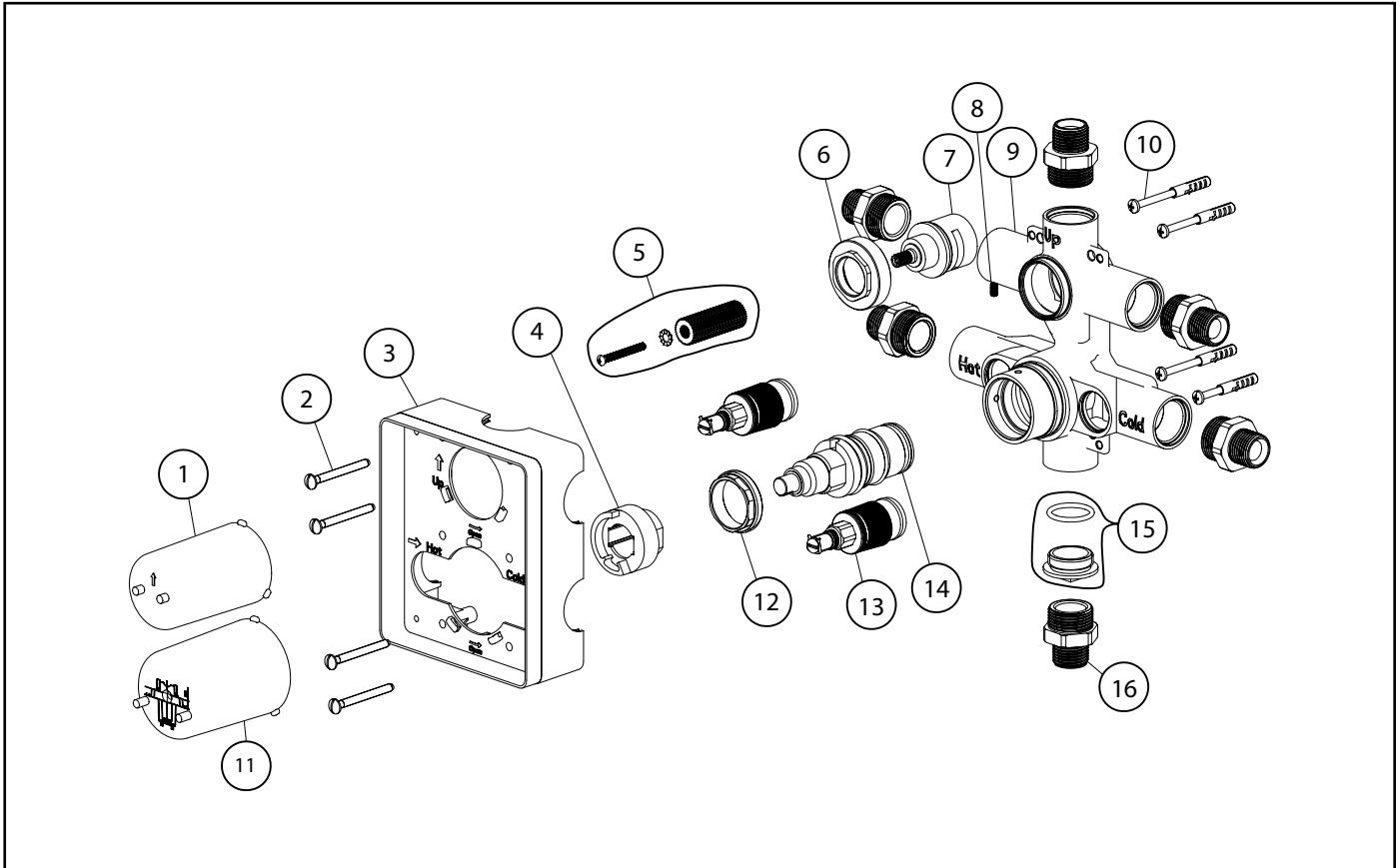
MAINTENANCE & CARE FOR YOUR AURA PRODUCTS

- To clean your faucet or accessory, when necessary, wash with a nonabrasive wet soapy cloth. Then wipe dry with a soft towel or cloth.
- Do not use any abrasive chemical or corrosive powders, detergents, window cleaners, disinfectants or any other strong cleaners on your Product as they will destroy the finish and therefore void the warranty

REMOVAL OF FAUCET

- Always turn the water supply off before removing the existing faucet or disassembling a valve.
- Ensure the water has been turned off.
- Open both faucet handles to release water pressure in lines.

Parts List

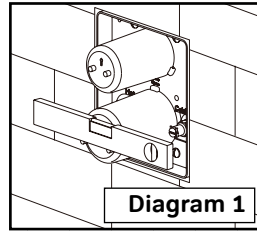
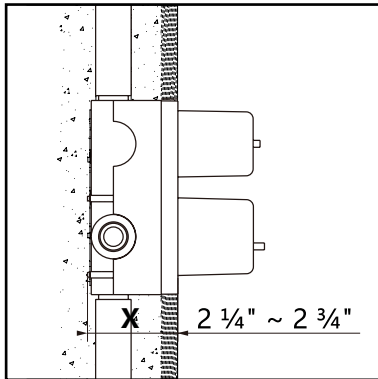


ITEM	DESCRIPTION	SKU	QTY
1	Protective Cover	-----	1
2	Screw	AP120-200	4
3	Valve Box	-----	1
4	Hot Water Limiter	AP120-204	1
5	Handle Extension	AP120-201	1
6	Diverter Retaining Nut	AP120-202	1
7	Diverter Cartridge	AP120-111	1
8	Set Screw	AP120-203	1
9	Valve Body	-----	1
10	Wall Screw	-----	4
11	Protective Cover	-----	1
12	Retaining Nut	AP120-205	1
13	Check Valve	AP120-106	2

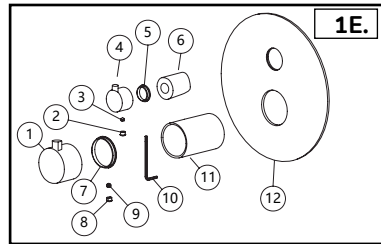
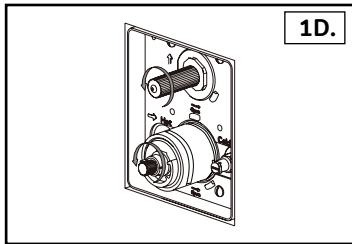
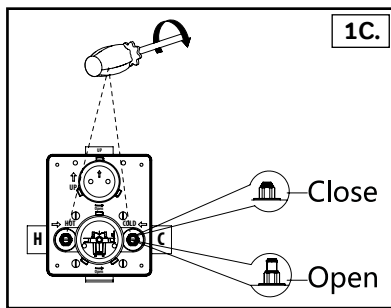
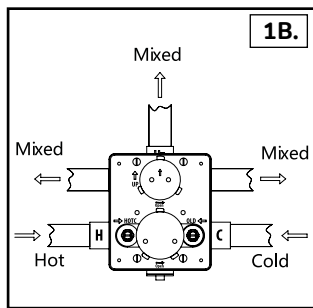
ITEM	DESCRIPTION	SKU	QTY
14	Thermostatic Cartridge	AP120-108	1
15	Plug	AP120-102	2
16	3/4" - 1/2" Connector	AP120-112	6
17			
18			
19			
20			
21			
22			
23			
24			
25			
26			

AURA

Thermostatic Valve Installation



ATTENTION!
Please check the thickness, making sure the plastic surface does not go beyond the tile surface.



Installation Manual

ASR1203-OO *** Valve Rough-In

ATTENTION!

REMOVE THE CARTRIDGE BEFORE INSTALLATION.
FLUSH THE HOT AND COLD SUPPLY LINES WITHOUT THE CARTRIDGE AFTER INSTALLATION. (SEE PAGE 9)

1A. Insert the Valve to the Wall: (EXAMPLE DIAGRAM 1)
Install the valve so that the outside surface of the finished wall falls between 57.15mm to 69.85mm (2 1/4" to 2 3/4") from the back of the valve.

Please check the installation to ensure the plastic surface on the valve does not go beyond the finished tile surface.

Using a level, adjust the two main points to level, then install the valve.

1B. Connect the Water Pipe:
Attach **HOT (Left)** and **COLD (Right)** water supply lines to the thermostatic valve.

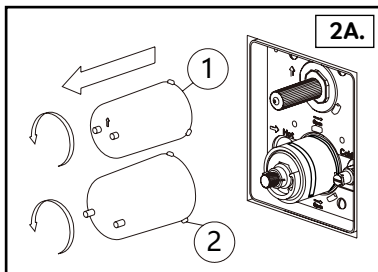
Attach water supply line from the outlet to desired shower components.

1C. Water Sealing Test:
Close the stops with a screwdriver by rotating the stop.

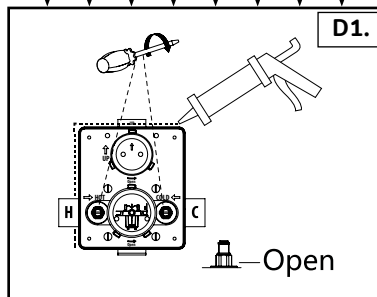
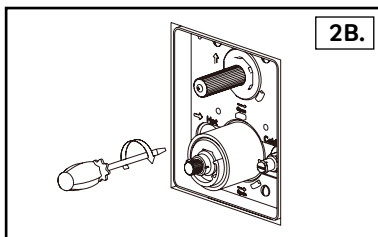
1D. Open the main water pipe line to test the waterway sealing. If the sealing on water line leaks, fix it then move on to next step.

1E. Trim/Handle Installation Preparation:
Be sure to check you have these parts before you move on to the next step.

Thermostatic Valve Cover Plate and Handle Installation



CAUTION!
Do not over open when the stops reach the maximum opening, as it may cause the stop to malfunction.



2A. Removing Plastic Covers:
Remove the protective **Protective Cover (1)** and **(2)** by rotating the to the left and pulling outwards.

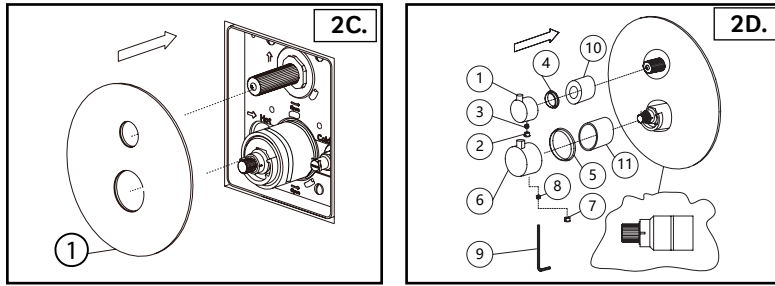
2B. Open the Stops:
Using a screwdriver, completely open the stops to maximum opening.

Be sure to not over tighten or loosen the stops as it may cause the stops to break. **(See Figure D1. on the left)**

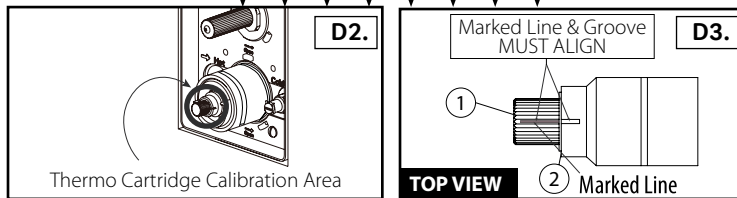
Install Wallboards and Tiles:
After finishing installation of wallboards and tiles, silicone around valve box. Silicone to create a seal.

Ensure it is silicone where wall and valve box meet.

Thermostatic Valve Cover Plate and Handle Installation



CAUTION!
Please check that the marked line on the thermostatic cartridge points to the rectangle notch on the plastic parts, if not, please rotate the brass part. Then install the handle.



2C. Installing Cover Plate:

Carefully install the **Trim Plate (1)**, make sure to keep the **Trim Plate (1)** tight against the wall.

2D. Configuring the Cartridge:

Before installing the handle and the rest of the trim, ensure the thermo cartridge is positioned correctly. Verify that the line etched on the top of the **Plastic Body (1)** of the cartridge lines up exactly with the black line on the brass **Boarch (2)** as you are looking down on it. (See Figures D2. and D3. on the left)

2E. Installing Volume Control Handle:

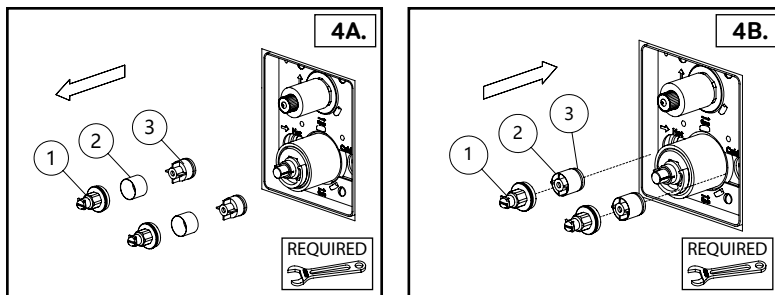
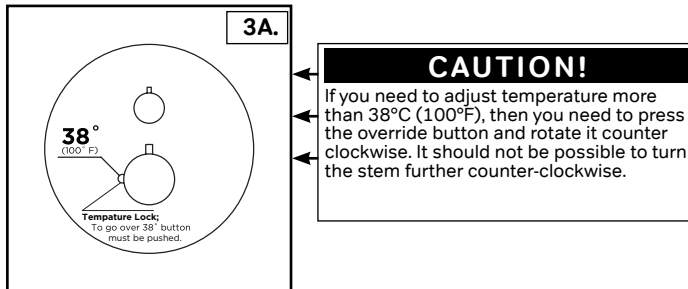
Install **Plastic Washer (4)** on diverter. Install the **Volume Control Handle (1)**. Use the **Allen Key (9)** to tighten the **Handle Set Screw (3)**, then insert **Set Screw Cap (3)**.

Installing Thermostatic Handle:

Install **Plastic Washer (5)** on the thermostatic mixer. Install the **Thermostatic Mixer Handle (6)**, so that the safety stop override button is at the 9:00 position. Use the **Allen Key (9)** tighten the **Handle Set Screw (8)**, then insert **Set Screw Cap (7)**.

(1) Plastic Body
(2) Boarch

Testing Handles and Replacing and Cleaning Stop Filters



3A. Test the Handle/Valve:

Water temperature will decrease when you rotate clockwise, and water temperature will increase when you rotate counter clockwise.

4A. CLEANING STOP FILTERS

Removing the stop filters:

Using a wrench, take out both of the **Stops (1)** by rotating them counter-clockwise.

Remove **Filter (2)** and **Valve (3)** and check for any debris or build up.

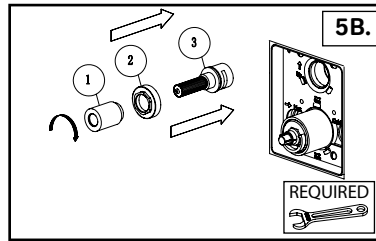
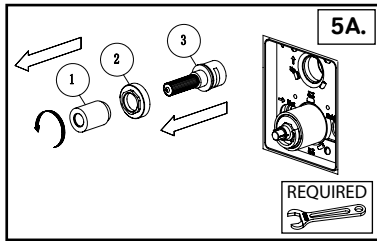
Use clean water to rinse and clean **Filter (2)**.

4B. Installing the stop filters:

Slide **Filter (2)** on to **Valve (3)**. Then thread it to the valve body.

Use a wrench to tighten the **Stops (1)** to the valve.

Removing and Installing Thermostatic Cartridges



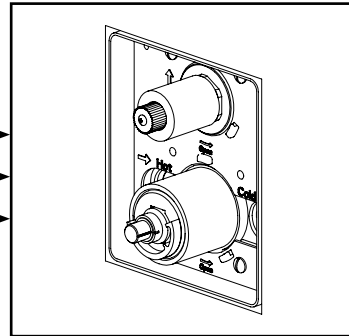
5A. REMOVING DIVERTER CARTRIDGE:

- Rotate the **Volume Control Escutcheon (1)** counter clockwise.
- Using a wrench, unscrew the **Locking Nut (6)** counter clockwise.
- Pull the **Thermostatic Cartridge (3)** out of the valve.

5B. INSTALLING DIVERTER CARTRIDGE:

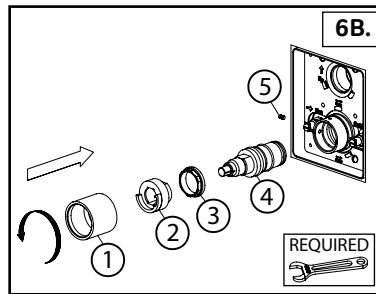
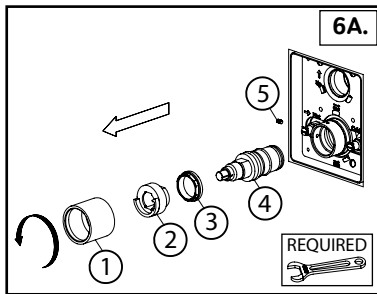
- Install the **Thermostatic Cartridge (3)** in to the valve.
- Using a wrench, screw on the **Diverter Retaining Nut (2)** clockwise.
- Rotate **Volume Control Escutcheon (4)** to the valve clockwise.

CAUTION!
Do not over open when the stop reaches the maximum opening, as it may cause the stop to malfunction.



6A. REMOVING THERMOSTATIC CARTRIDGE:

- Rotate the **Thermo Escutcheon (1)** counter clockwise.
- Take out the **Hot Water Limiter (2)**.
- Using a wrench, unscrew the **Retaining Nut (3)** counter clockwise.
- Use a Allen key to loosen set **Screw (5)**.
- Pull the **Thermostatic Cartridge (4)** out of the valve.



6B. INSTALLING THERMOSTATIC CARTRIDGE:

- Install the **Thermostatic Cartridge (4)** in to the valve.
- Use a Allen key to tighten set **Screw (5)**.
- Using a wrench, screw on the **Retaining Nut (3)** clockwise.
- Put on the **Hot Water Limiter (2)**.
- Rotate **Thermo Escutcheon (1)** to the valve clockwise.

Trouble Shooting FAQ

Problem	Probable Cause	Solution
Insufficient Water Pressure	Supply Pressure Inadequate	Check Water Pressure
	Cartridge May Be Dirty	Clean the Filters (See Page 5)
	Showerhead or Handshower Filter Dirty	Clean the Filter
Output Temperature does not Correspond with Temperature Marked on Handle	Handle not Justified Correctly	Adjust the Thermo Handle
	Water Heater Set too Low	Increase the Hot Water Temperature
Safety Stop Button Not Operating	Button and/or Spring are Dirty or Worn	Clean Spring and Button, Replace if Necessary
Handle is Hard to Turn, Shower or Spout Dripping	Cartridge is Dirty or Worn Out	Clean Cartridge, Replace if Necessary
Temperature Regulation Not Possible	Hot and Cold Supplies are Reversed	Re-Install the Supply Lines
	Thermostatic Cartridge Dirty or Worn	Replace the Thermostatic Cartridge

Installation Examples

