



ARAN

Freestanding Bathtub

ATFAR6632T-XX



DESCRIPTION

- Made from Double Layer Acrylic
- High Gloss Finish
- Single Backrest
- Integrated Overflow
- End Drain

DIMENSIONS

- Length: 66"
- Width: 31 1/16"
- Height: 27 1/8"

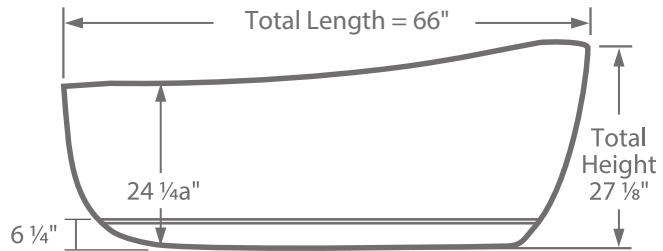
AVAILABLE FINISHES

- 10: High Gloss White
- WB: White / Black

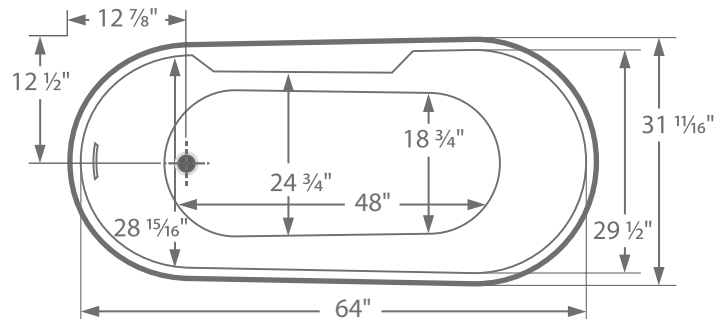
ADDITIONAL NOTES

- Recommended Drain: ATO140
- ATO140 Available in Chrome, White & Black
- Overflow Available in Chrome, White & Black

SIDE VIEW



TOP VIEW

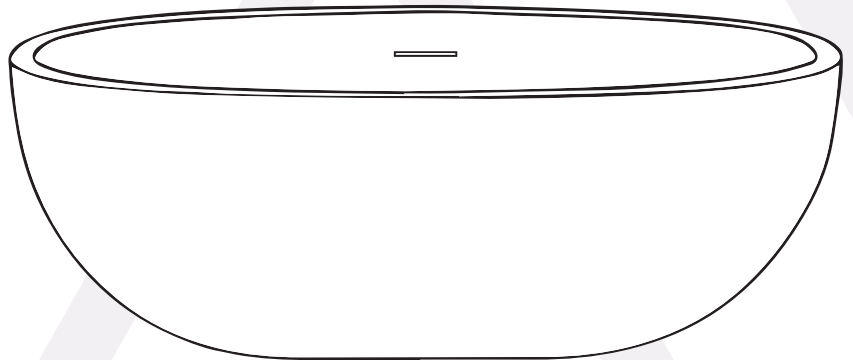




AURA

Freestanding Bathtub

For all Models



Installation Manual

Please read notices on following page



**TWO PERSONS
REQUIRED**



AURA

Freestanding Bathtub

For all Models

GENERAL INSTRUCTIONS

- Read this guide carefully and completely before proceeding.
- It is recommended that you wear safety glasses during the installation.

NOTICE

- For best results, we recommend that a licensed, professional plumber install this unit.
- Please read over these instructions thoroughly before beginning installation.
- Make sure that you have all tools and supplies needed to complete the installation.
- Please check local building code.
- Keep receipts (proof of purchase and place of purchase) for this product. The receipt is required should it be necessary to request warranty parts.

MAINTENANCE & CARE

- Do not use any abrasive chemical or corrosive powders, detergents, window cleans, disinfectants or any other strong cleaners on your product as they will destroy the finish and therefore void the warranty.

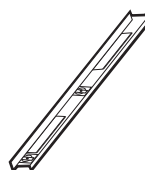
MATERIALS AND TOOLS REQUIRED



PENCIL



TAPE MEASURE



LEVEL



SILICONE



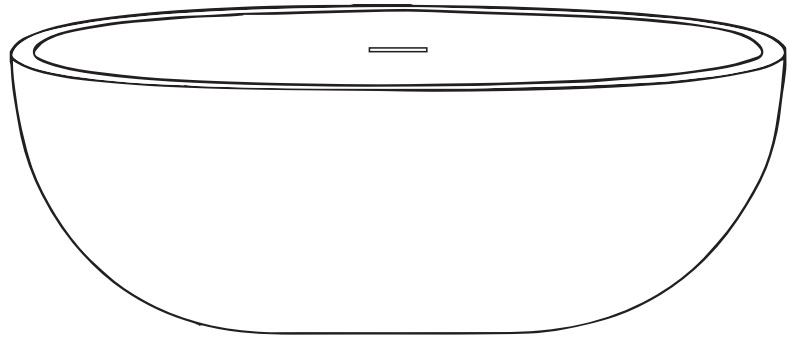
AURA

Freestanding Bathtub

For all Models

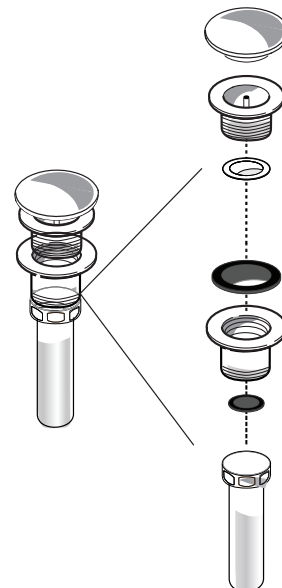
ITEM	DESCRIPTION	SKU	QTY
1	Bathtub		1
2	ATO140 Drain (Not Included)		0
3			
4			
5			

PARTS LIST



1

2





AURA

Freestanding Bathtub

For all Models

ATTENTION!

REMOVE ANY OBSTRUCTIONS

PREPARATION

1A. Installation area should be cleaned.

Use a spirit level to ensure the ground area is level for the bathtub.

POSITIONING BATHTUB

2A. Place the freestanding bathtub in the exact location desired.

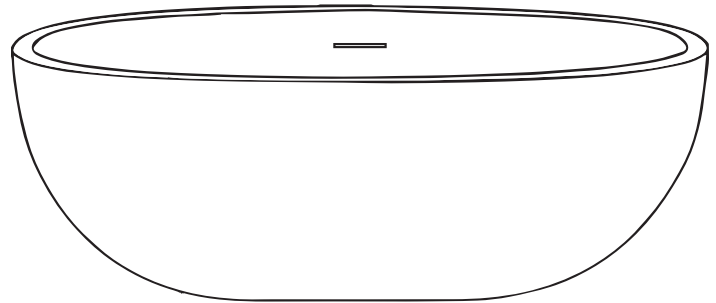
THIS WILL BE THE INSTALLED POSITION ON THE FLOOR

Then trace the outline of the freestanding bathtub with a pencil or any marking that is erasable.

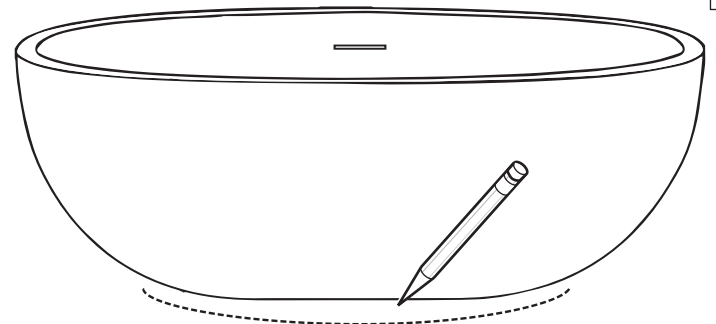
2B. Using a drop cloth, cardboard or any smooth protective surface, turn the freestanding bathtub on its side so that the unit is supported during drain installation.

Note: Drain, waste locations and trim options vary by model.

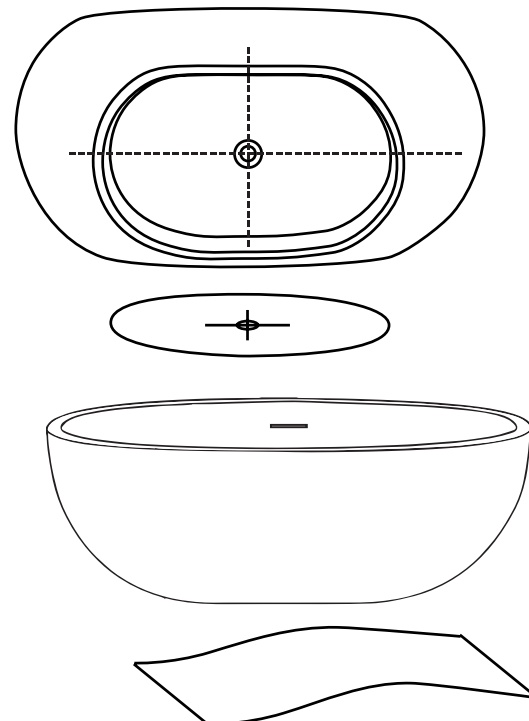
1A



2A



2B





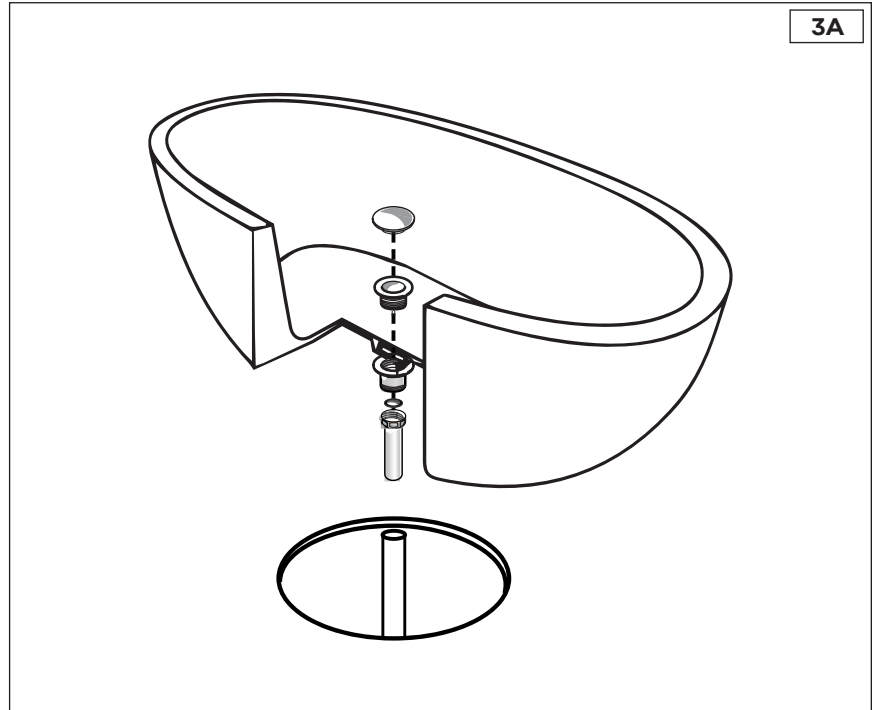
AURA

Freestanding Bathtub

For all Models

POSITIONING DRAIN ASSEMBY

- 3A.** Attach the drain body nut on the drain body and tighten until the nut and washer have created a seal with the bottom of the bathtub.





AURA

Freestanding Bathtub

For all Models

PREPARATION OF DRAIN TAIL PIECE

4A. Waste drain pipe must always be installed agreeing to local by/laws and standards. Check and confirm the placement of the bathtub before drilling the hole for the waste drain pipe.

Install 1 1/2" rubber slip gasket over the drain waste vent.

Cut tail piece to desired length (will need to adjust for each installation).

Slide the nut over the tail piece towards flanged end.

Connect the tail piece assembly to waste vent.

Place flange washer on top of tail piece.

POSITIONING BATHTUB

5A. Place the bathtub upside down on a smooth stable surface. Adjust the legs to a point to exceed the rim of the skirt by 1/8".

2 x 4 pieces of lumber can be used to take the measurements shown in figure 5A. Turn the bath over and confirm it's stability on the ground by validating that all legs are in contact with the ground.

Carefully set the tub into position and connect the drain. Finish the installation of the tail-piece installation.

Once the bathtub is set into place, apply silicone or caulk around the edge of the base.

