



# FORMA

Built-In Bathtub

ATAFRO6032T(L/R)-10



## DESCRIPTION

- Modern, Built-in Bathtub
- Made From Double Layer Acrylic
- Features Single Backrest
- Integrated Overflow
- High Gloss Finish
- End Drain (Left side or Right)
- Integrated Tiling Flange

## DIMENSIONS

- Width: 59 3/4"
- Depth: 32"
- Height: 19 11/16"

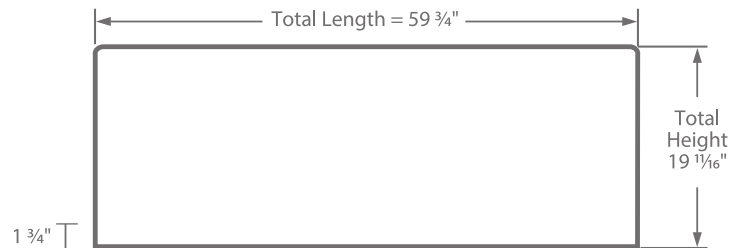
## AVAILABLE FINISHES

- 10: High Gloss White

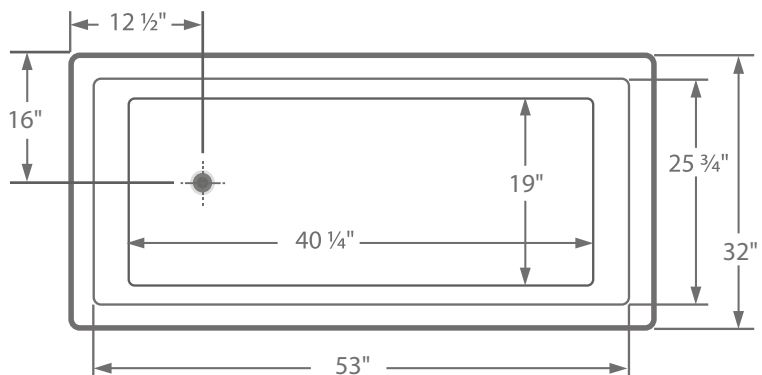
## ADDITIONAL NOTES

- Recommended Drain: ATO140
- ATO140 Available in Chrome, White & Black
- Overflow Available in Chrome, White & Black

SIDE VIEW



TOP VIEW





AURA

Alcove Bathtub

For all Models



# Installation Manual

Please read notices on following page



**TWO PERSONS  
REQUIRED**

Dimensions of fixtures are approximate and may vary  $\pm 6\text{mm}$  (1/4"). Structure measurements must be verified against the unit to ensure proper fit.  
PRODUCT SPECIFICATIONS ARE SUBJECT TO CHANGE WITHOUT NOTICE.



AURA

Alcove Bathtub

For all Models

## MATERIALS AND TOOLS REQUIRED

### GENERAL INSTRUCTIONS

- Read this guide carefully and completely before proceeding.
- It is recommended that you wear safety glasses during the installation.

### NOTICE

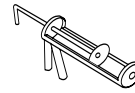
- For best results, we recommend that a licensed, professional plumber install this unit.
- Please read over these instructions thoroughly before beginning installation.
- Make sure that you have all tools and supplies needed to complete the installation.
- Please check local building code.
- Keep receipts (proof of purchase and place of purchase) for this product. The receipt is required should it be necessary to request warranty parts.

### MAINTENACE & CARE

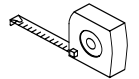
- Do not use any abrasive chemical or corrosive powders, detergents, window cleans, disinfectants or any other strong cleaners on your product as they will destroy the finished and therefore void the warranty.



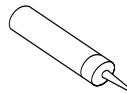
Drill



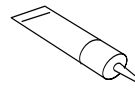
Caulking Gun



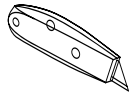
Tape Measure



Adhesive



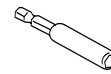
Sealant



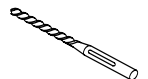
Utility Knife



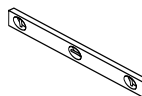
V-notched  
Trowel (1/4")



Extension Bit  
Holder



Drill Bit 3/16"



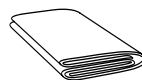
Level



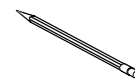
Round Head  
Screws 1 1/4"



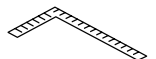
Phillips Bit



Drop Cloth



Pencil



Square

Parts List



# AURA

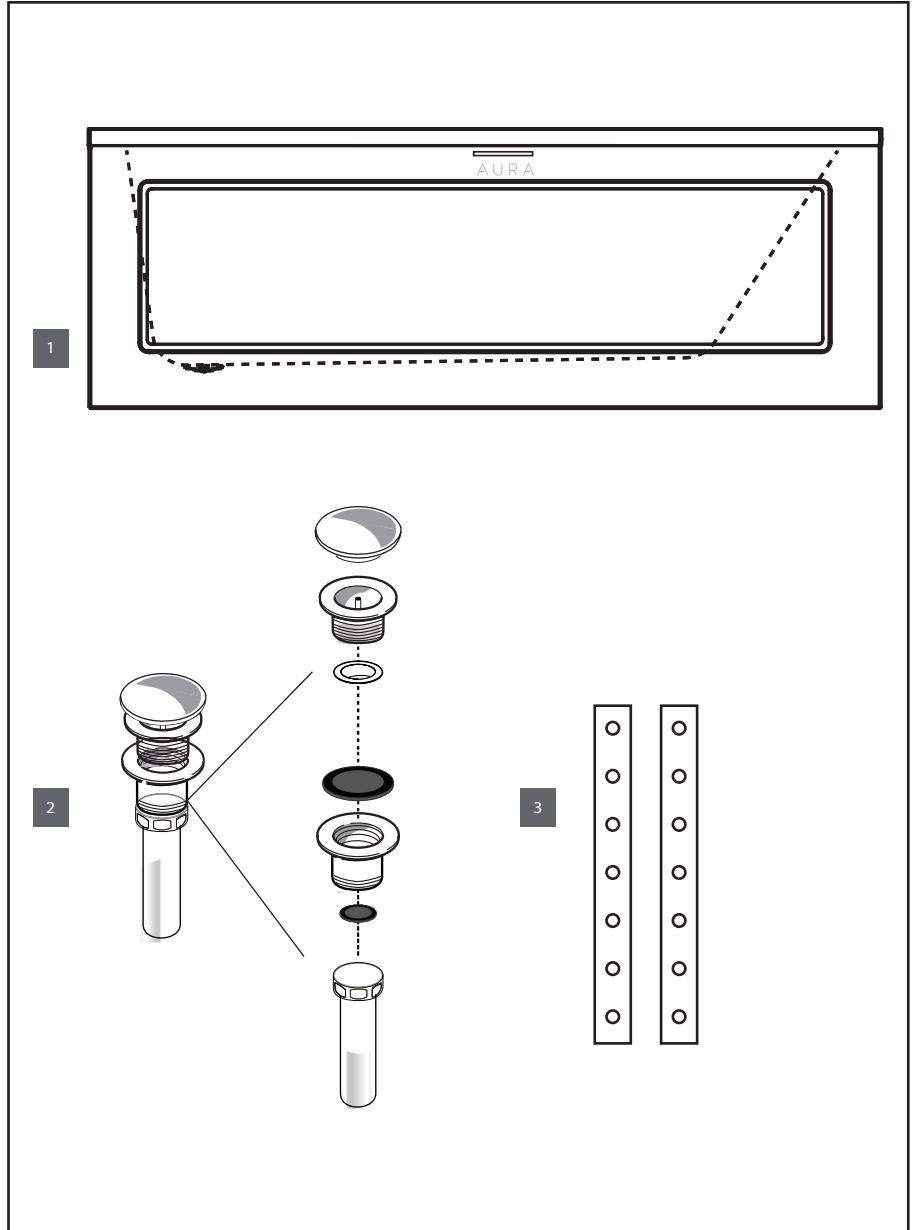
Alcove Bathtub

For all Models

ITEM	DESCRIPTION	QTY
1	Alcove Bathtub	1
2	ATO140 Drain (Not Included)	0
3	Metal Strap	2
4		

### ATTENTION!

Please Note: The bathtub has an embedded overflow





# AURA

Alcove Bathtub

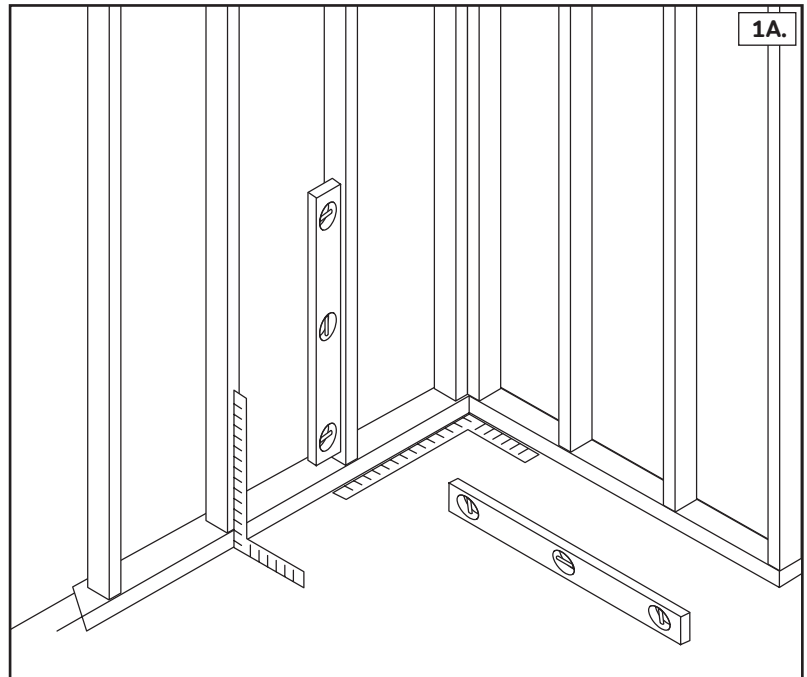
For all Models

## ATTENTION!

REMOVE ANY OBSTRUCTIONS

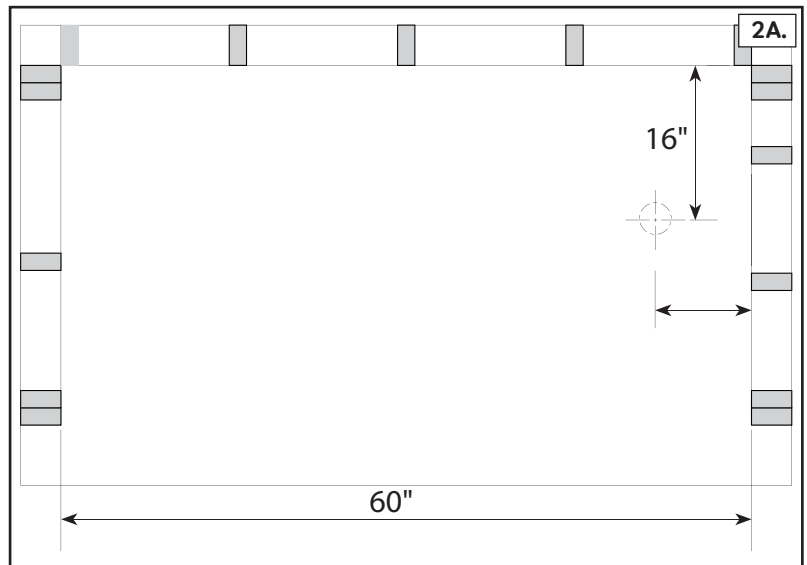
### PREPARATION

1A. Make sure the studs are straight and square



### POSITIONING BATHTUB

2A. After carefully verifying the drain location, drill the drain hole.



## ATTENTION!

Picture for reference only. For actual measurements, refer to product's specification sheet.



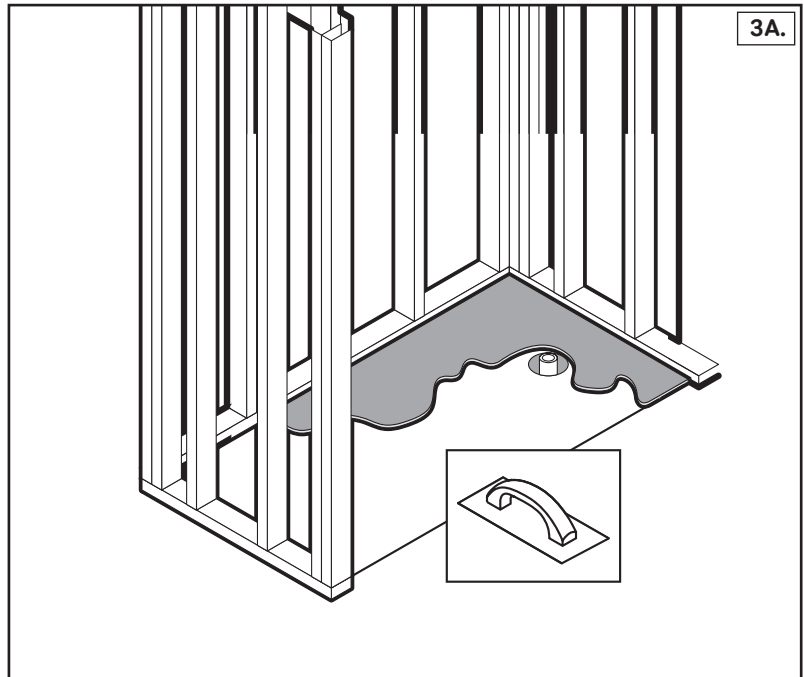
AURA

Alcove Bathtub

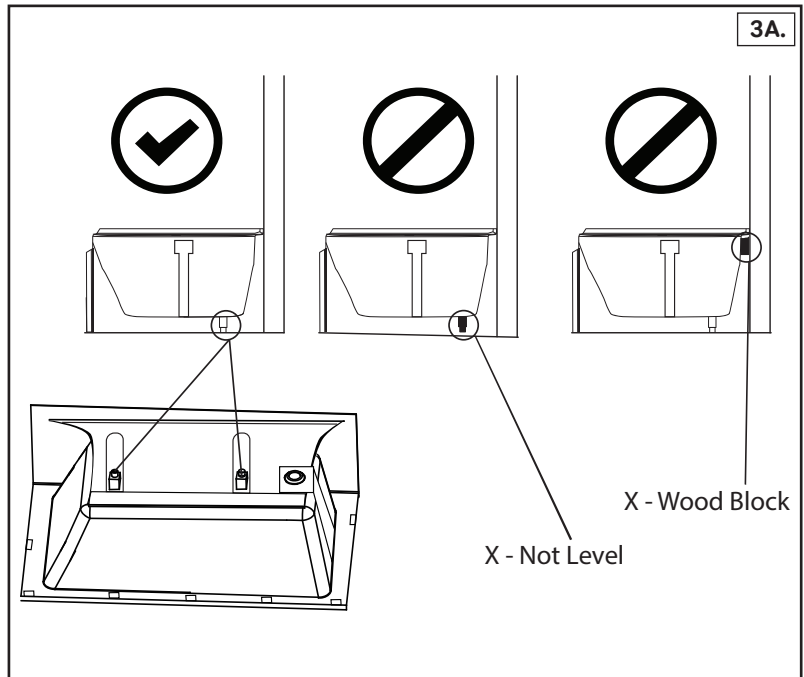
For all Models

BATHTUB INSTALLATION

3A. If the floor is not flat or level, it is recommended to deposit a mortar bed where the base will be positioned.



3A. Make sure all the legs of the tub are entirely touch the floor. If not, adjust them or set the level or use a mortar bed for proper installation.



**ATTENTION!**

The bath tub must primarily be supported by the tubs feet on the floor



# AURA

Alcove Bathtub

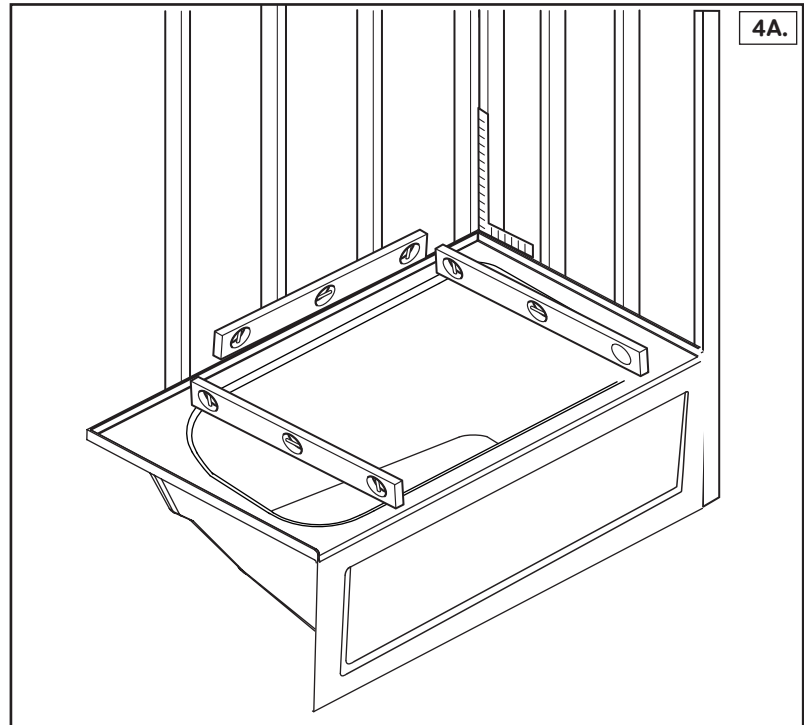
For all Models

## LEVELING THE BATHTUB

- 4A. Use a level and a bracket to make sure that the bathtub is straight and perpendicular.

### ATTENTION!

Bathtub bottom must be in contact with a perfectly straight and level surface.

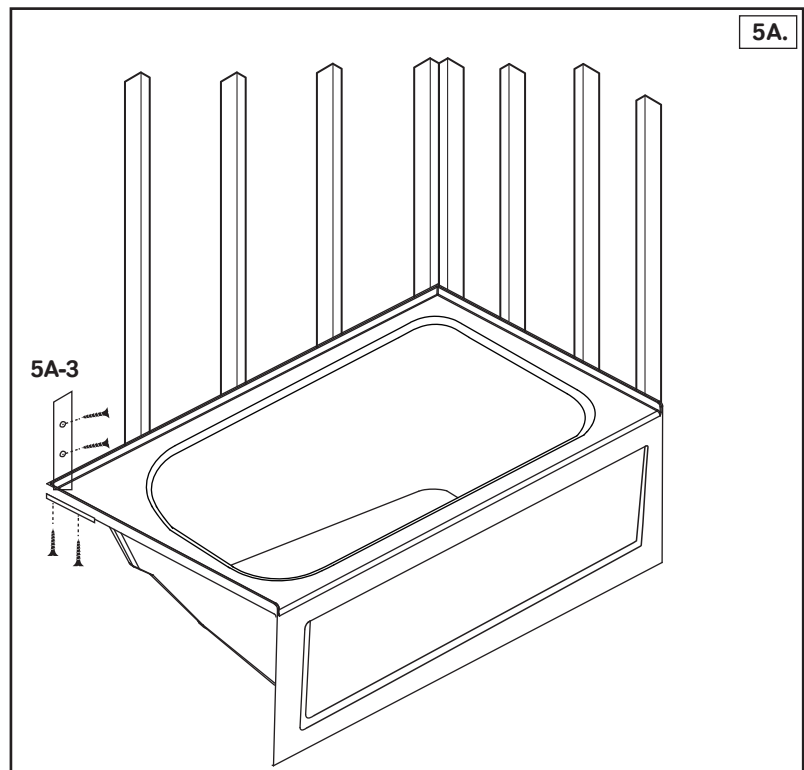


## SECURING THE BATHTUB

- 5A. After installing the drain onto the tub. Use metal hanger straps ( $\frac{3}{4}$ " x 8") to be attached to the back corners of the bathtub to secure it against the studs.

### ATTENTION!

Attach metal strap with short screws into a wood block  $1\frac{1}{2}$ " x  $1\frac{1}{2}$ " glued underneath the tiling flange. (5A-3)





# AURA

Alcove Bathtub

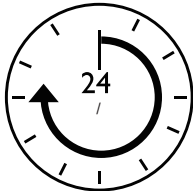
For all Models

## SILCONING THE BATHTUB

**6A.** Apply 100% silicon sealer to any gaps in the corners and seal the joint between the bathtub and the wall finish.

### ATTENTION!

Allow the sealant to dry for at least 24 hours.



## CORRECT INSTALLATION

1. Framing
2. Dry Wall
3. Finished Wall
4. Sealant
5. Bathtub
6. Wood Block 1 1/2" x 1 1/2"
7. Metal Strap

