



ARORA

Bathroom Vanity

ABFARB3021-XX



DESCRIPTION

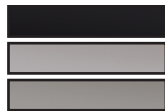
- Made in Canada
- Soft Close Drawers w/ Adjustments
- Matte Finish
- Fingerprint resistant side gables
- Charcoal interior
- Reveal Sold Separately

DIMENSIONS

- Width: 30 1/2"
- Depth: 21 7/8"
- Height: 26 5/8"

AVAILABLE FINISHES

- AZ: Azure
- SW: Shadow White
- TU: Tundra



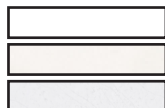
AVAILABLE HANDLE & REVEAL FINISHES

- Chrome
- Black
- Gold
- Brushed Nickel

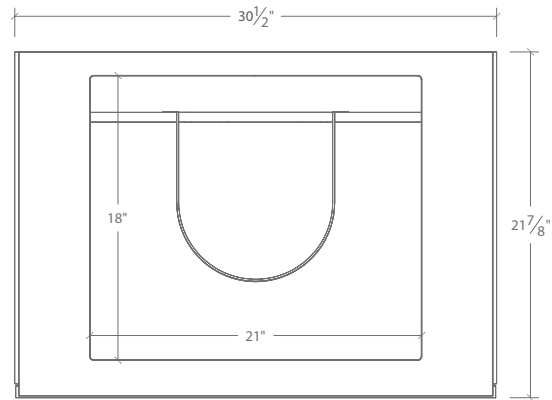


AVAILABLE COUNTERTOPS

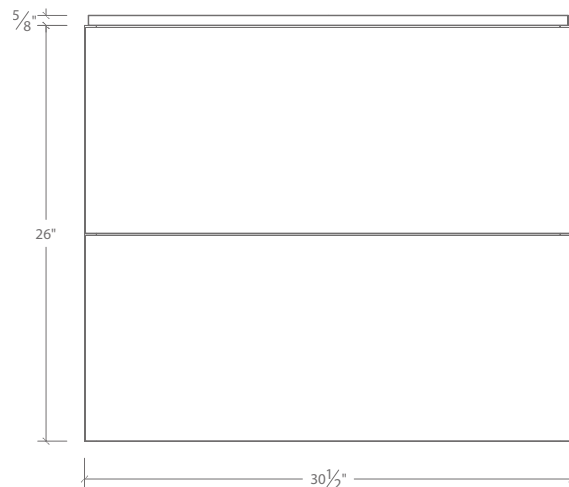
- Urban - White
- Exelis - Blanco Zeus
- Exelis - Eternal Saturio



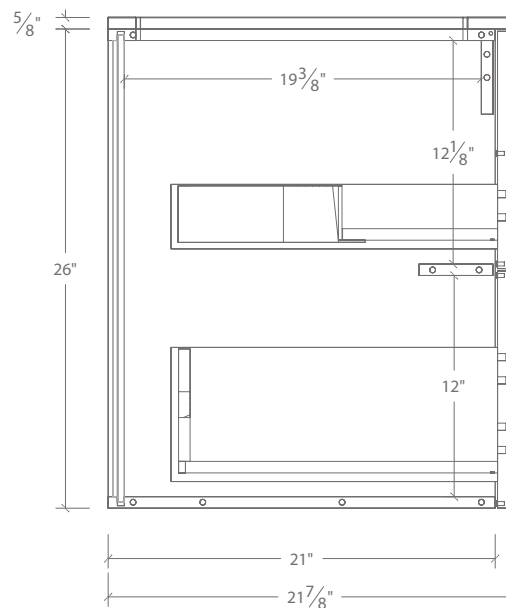
TOP VIEW



FRONT VIEW



SIDE VIEW





ARORA

Bathroom Vanity

ABFARB3621-XX



DESCRIPTION

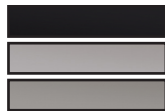
- Made in Canada
- Soft Close Drawers w/ Adjustments
- Matte Finish
- Fingerprint resistant side gables
- Charcoal interior
- Reveal Sold Separately

DIMENSIONS

- Width: 36 1/2"
- Depth: 21 7/8"
- Height: 26 5/8"

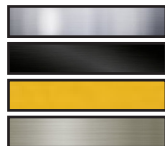
AVAILABLE FINISHES

- AZ: Azure
- SW: Shadow White
- TU: Tundra



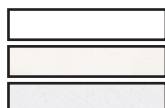
AVAILABLE HANDLE & REVEAL FINISHES

- Chrome
- Black
- Gold
- Brushed Nickel

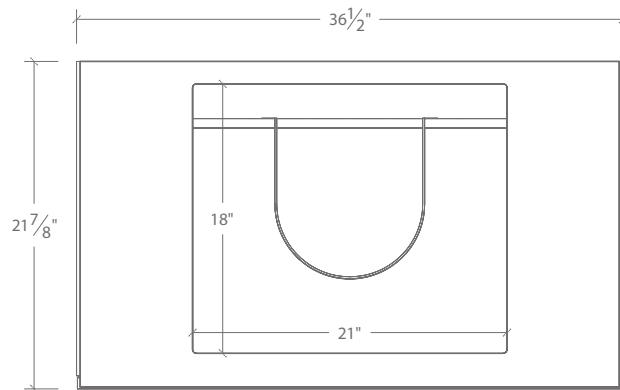


AVAILABLE COUNTERTOPS

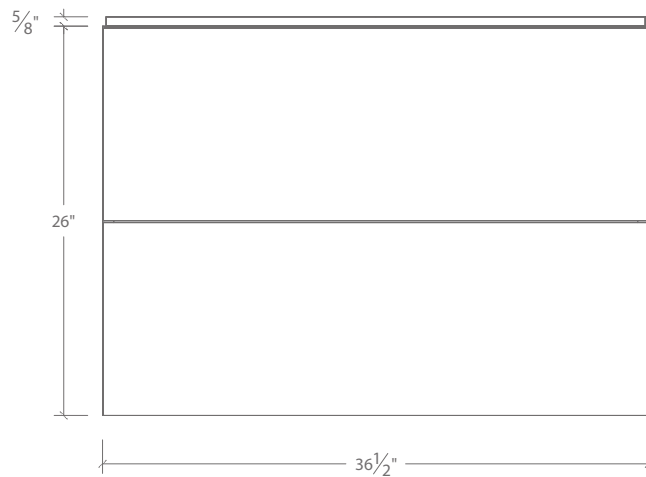
- Urban - White
- Exelis - Blanco Zeus
- Exelis - Eternal Saturio



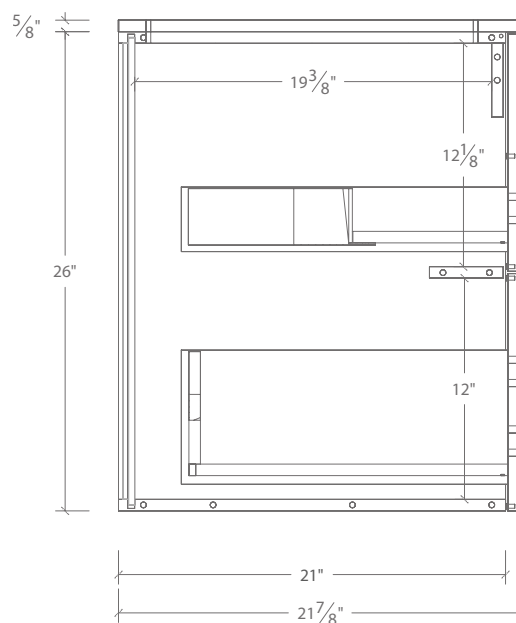
TOP VIEW



FRONT VIEW



SIDE VIEW





ARORA

Bathroom Vanity

ABFARB4821-XX



DESCRIPTION

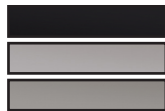
- Made in Canada
- Soft Close Drawers w/ Adjustments
- Matte Finish
- Fingerprint resistant side gables
- Charcoal interior
- Reveal Sold Separately

DIMENSIONS

- Width: 48 1/2"
- Depth: 21 7/8"
- Height: 26 5/8"

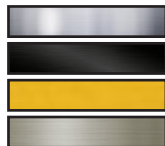
AVAILABLE FINISHES

- AZ: Azure
- SW: Shadow White
- TU: Tundra



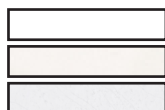
AVAILABLE HANDLE & REVEAL FINISHES

- Chrome
- Black
- Gold
- Brushed Nickel

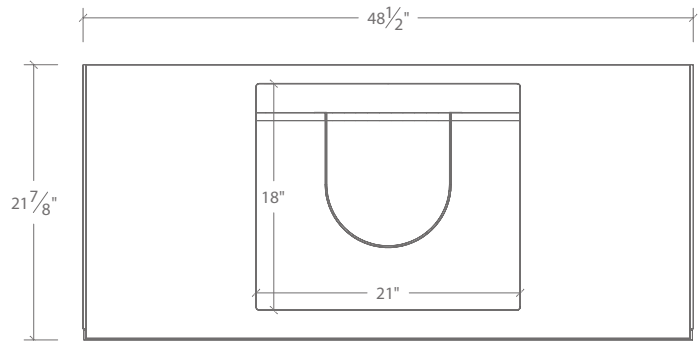


AVAILABLE COUNTERTOPS

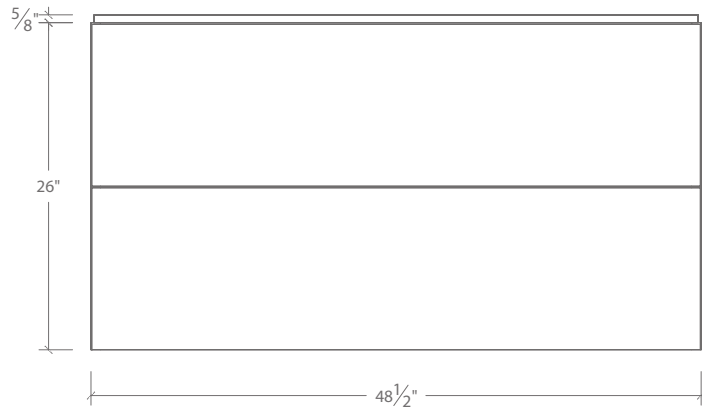
- Urban - White
- Exelis - Blanco Zeus
- Exelis - Eternal Saturio



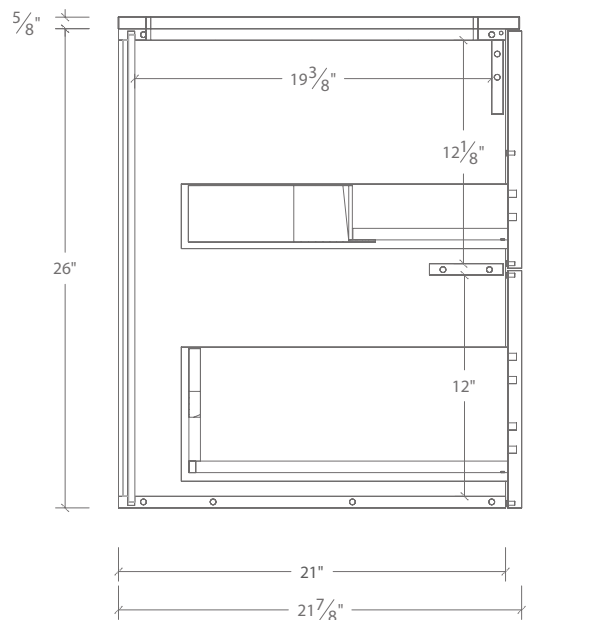
TOP VIEW



FRONT VIEW



SIDE VIEW

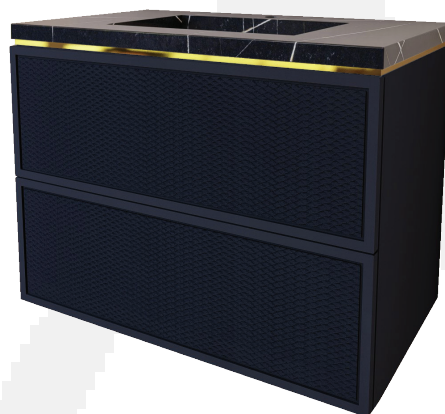




ARPORA

Bathroom Vanity

ABFARBXXX



Installation Manual



**TWO PERSONS
REQUIRED**



ARFORA

Bathroom Vanity

ABFARBXXXX

MATERIALS AND TOOLS REQUIRED

GENERAL INSTRUCTIONS

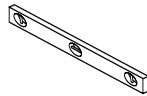
- Read this guide carefully and completely before proceeding.
- It is recommended that you wear safety glasses during the installation.

NOTICE

- For best results, we recommend that a licensed, professional plumber installs this unit.
- Please read over these instructions thoroughly before beginning installation.
- Make sure that you have all tools and supplies needed to complete the installation.
- Please check local building code.
- Keep receipts (proof of purchase and place of purchase) for this product. The receipt is required should it be necessary to request warranty parts.

MAINTENANCE & CARE

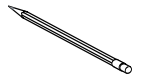
- Do not use any abrasive chemical or corrosive powders, detergents, window cleans, disinfectants or any other strong cleaners on your product as they will destroy the finished and therefore void the warranty.



Level



Drill



Pencil

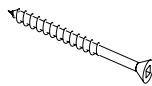


Stud Finder

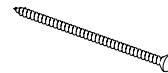


Screw Driver

MATERIALS INCLUDED



3X #8 2.5" Screw for Mounting Z Clip to wall



3X #14 3" Screw for securing cabinet to wall



ARFORA

Bathroom Vanity

ABFARBXXXX

ATTENTION!

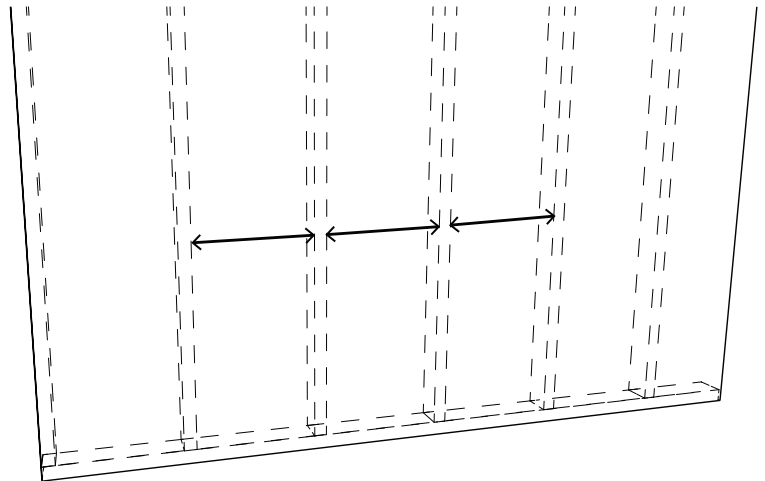
REMOVE ANY OBSTRUCTIONS

PREPARATION

1A. Your new cabinets can be hung directly onto a suspension rail making them easier to install and adjust. It's important to make sure your suspension rail is straight and level, and to secure it with the right screw type for your wall.

Check that your wall is strong enough to hang your suspension rail and cabinets. Depending on your wall material, it's best to install your rail onto a stud or a support beam. An electronic stud finder can be helpful.

1A



ATTENTION!

Double-check your plumbing is where you want it and fits with your layout plan.



ARPORA

Bathroom Vanity

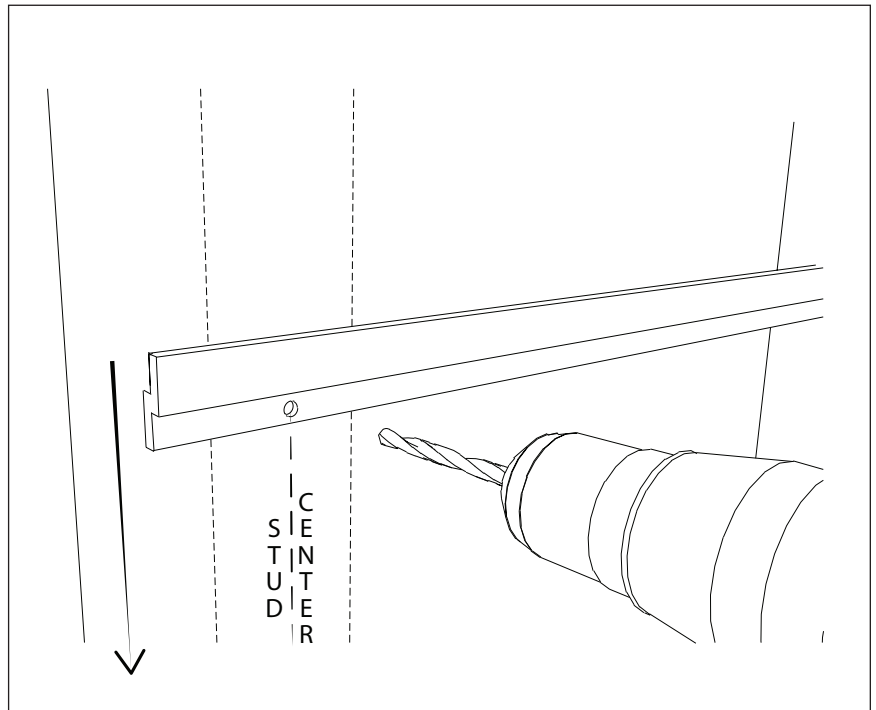
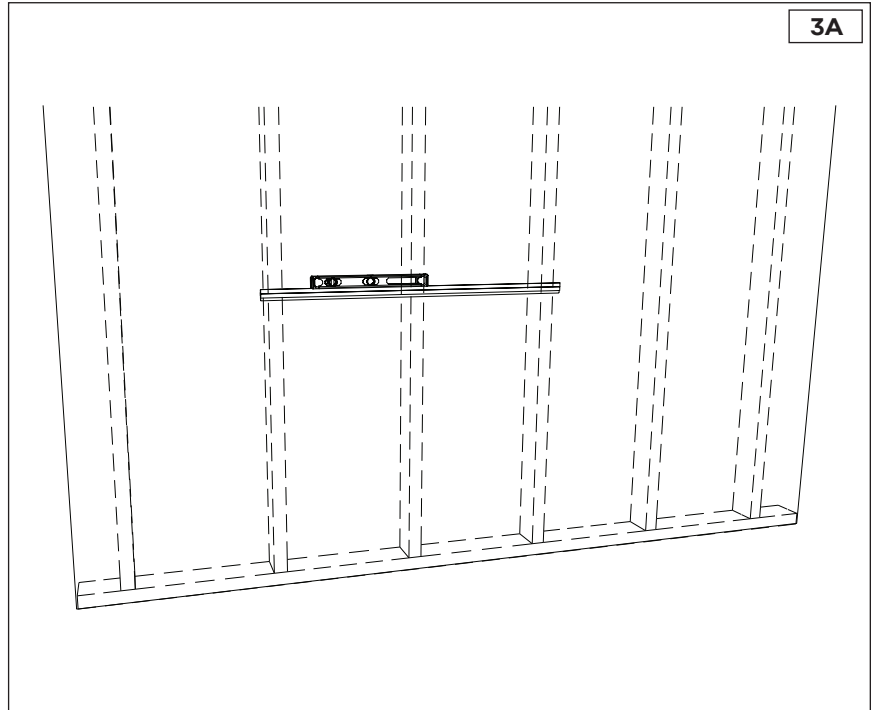
ABFARBXXXX

MOUNTING

3A. Mount the suspension rails

Use level to check that the rail is level.

3A. Fasten your rails. Make sure you've found suitable points in the wall where the rails can be fastened and that the rails are level before drilling.



ATTENTION!

USE 3X #8 2.5" SCREW TO MOUNT CLIP TO WALL



ARPORA

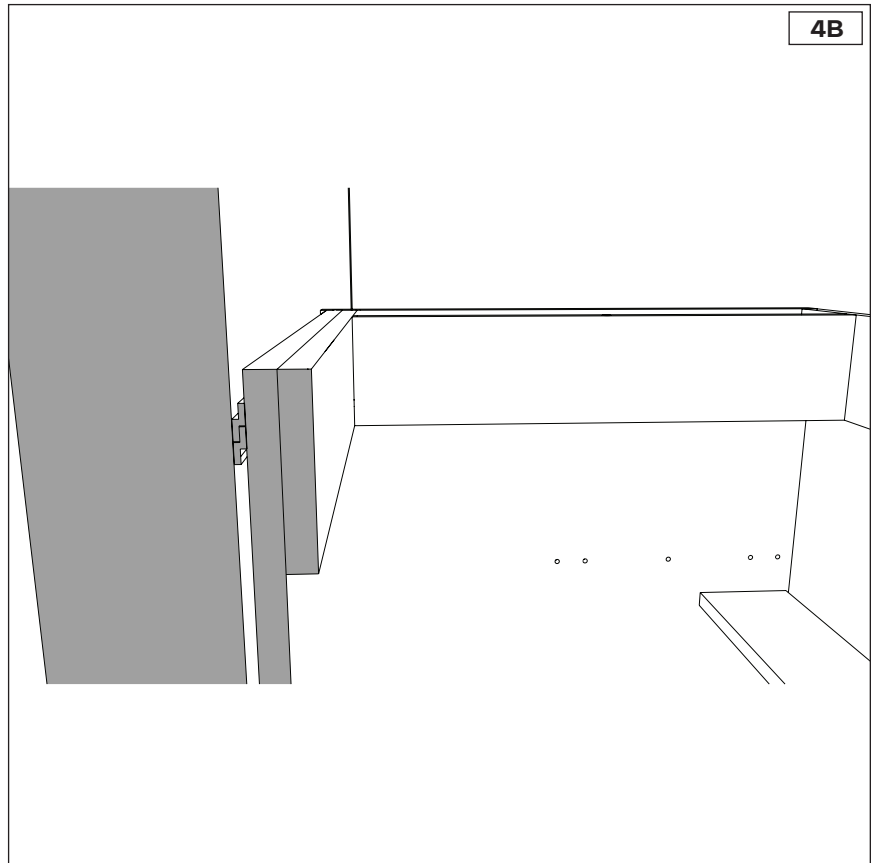
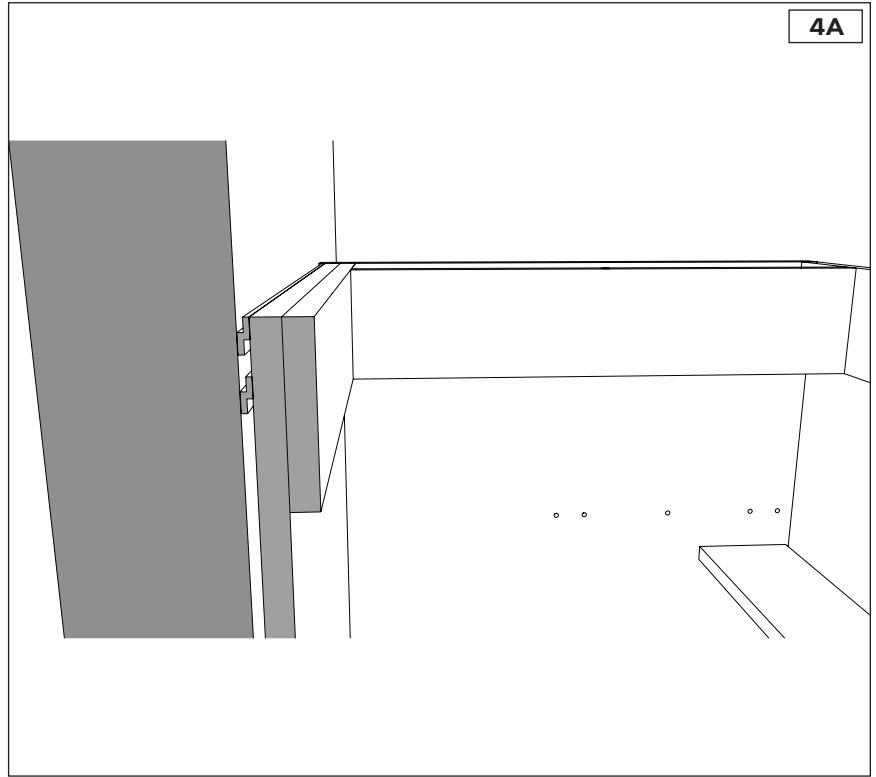
Bathroom Vanity

ABFARBXXXX

ATTACHING BASE TO RAIL

4A. Easily lower the cabinet onto the rail until the cabinet's attached rail piece slides into the wall rails slot.

SEE DIAGRAM **4A** and **4B**





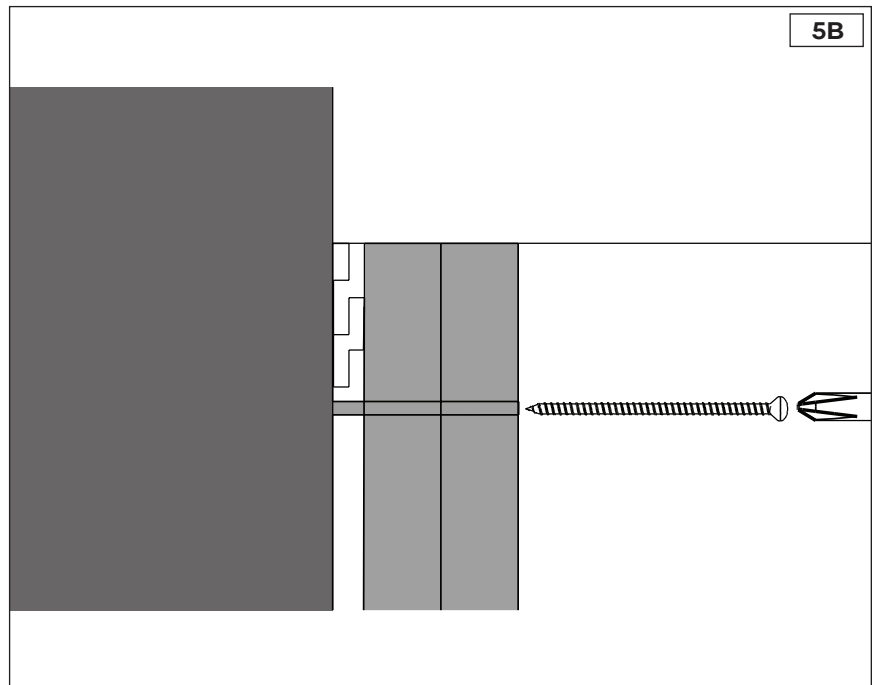
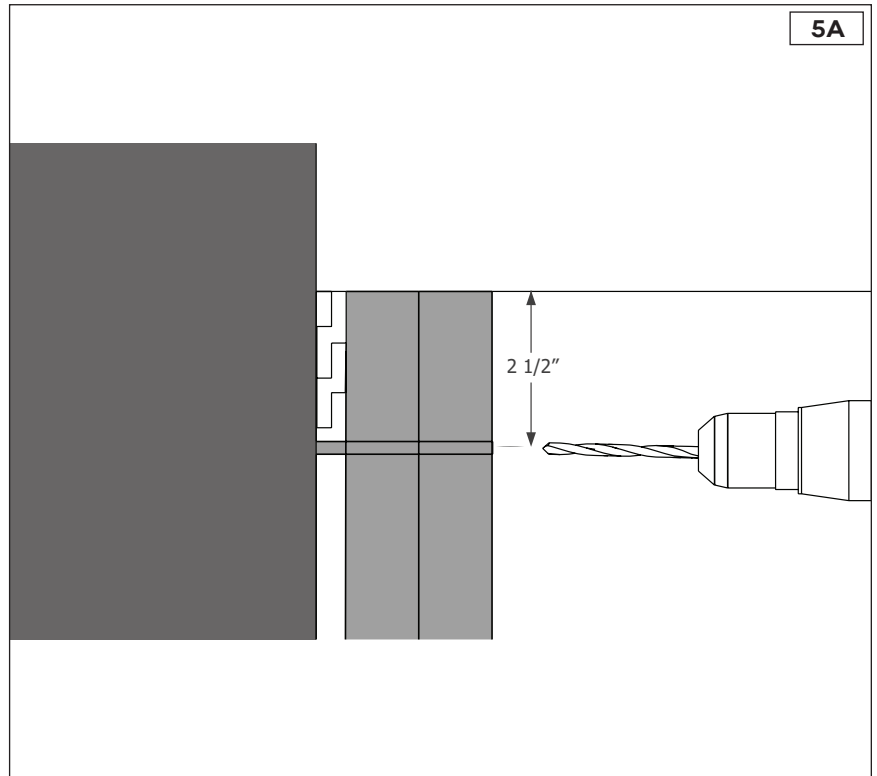
ARPORA

Bathroom Vanity

ABFARBXXXX

SECURE THE BASE

- 5A.** Drill a hole through the back of the cabinet into the wall roughly where indicated on diagram **5A**. Then secure with a screw after into the wall diagram **5B**.



ATTENTION!

USE 3X #14 3" SCREW TO SECURE CABINET TO THE WALL



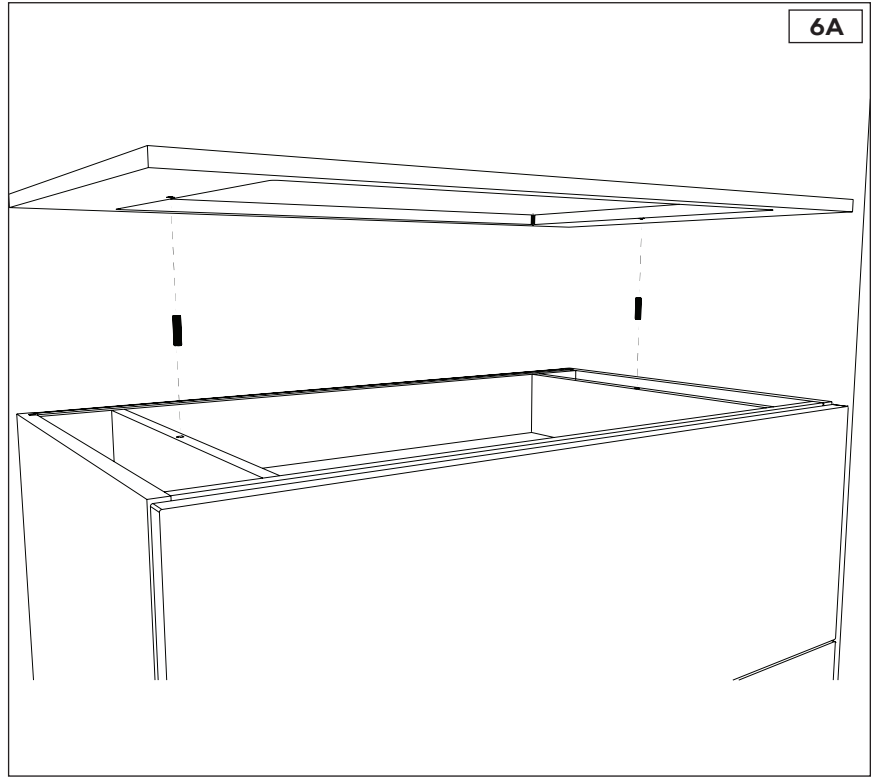
ARPORA

Bathroom Vanity

ABFARBXXXX

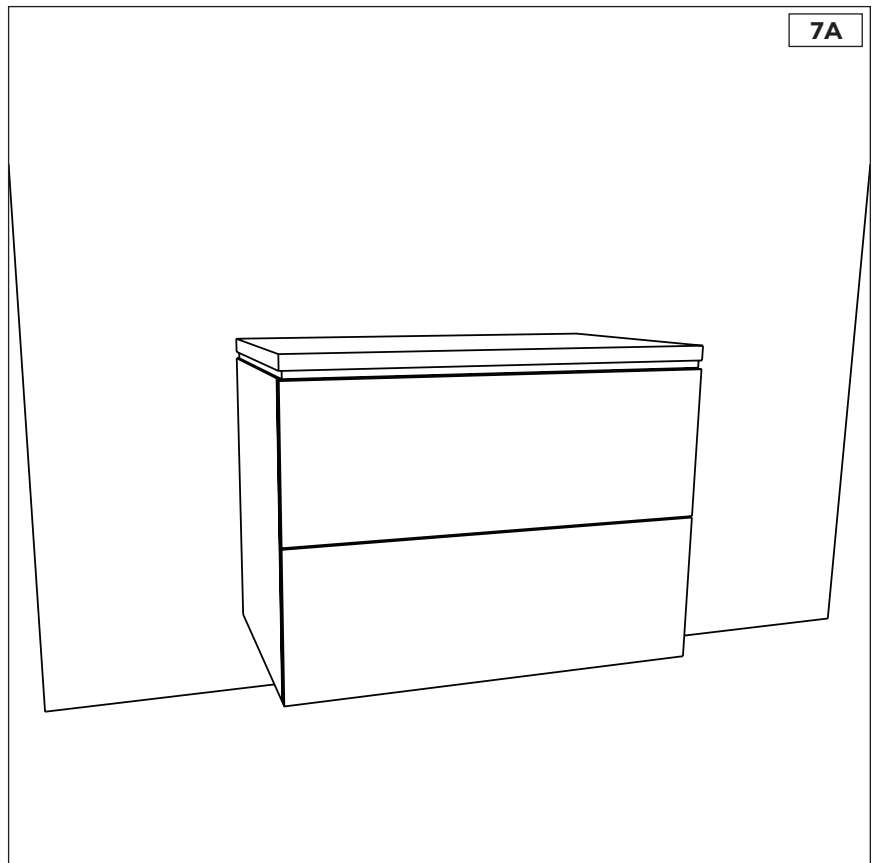
ATTACH THE REVEAL

- 6A.** Place a wooden Dowel(included) into the bottom of the reveal. The bottom of the reveal will have a hole on each side to accommodate the dowels. Gently place it atop the vanity making sure to align the holes. It should sit snug and securely.



PLACE COUNTERTOP

- 7A.** Carefully place the countertop atop the base after the reveal has been secured. Adjust as needed to make sure it is evenly positioned.



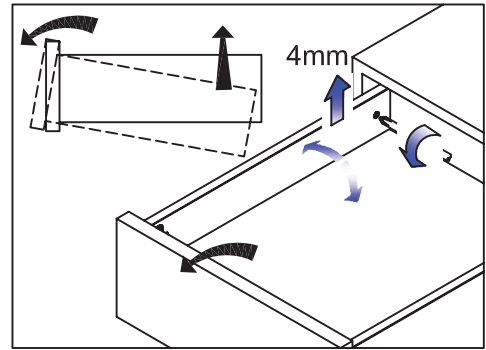


ARFORA

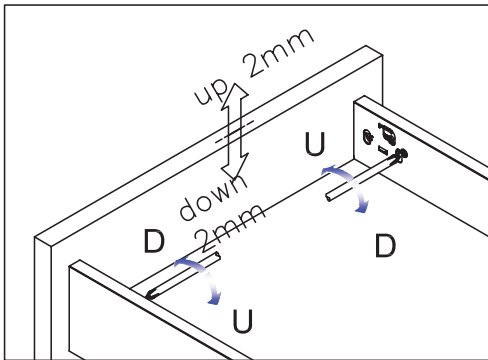
Bathroom Vanity

ABFARBXXX

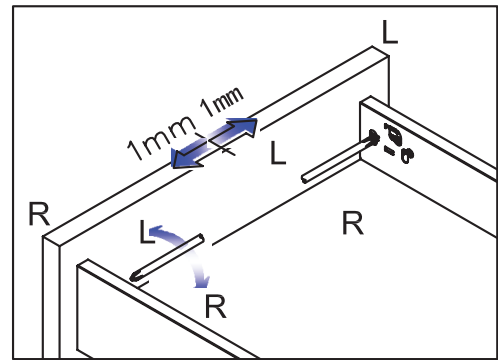
DRAWER ADJUSTMENTS



TILTING ADJUSTMENTS



UP / DOWN ADJUSTMENTS



LEFT / RIGHT ADJUSTMENTS

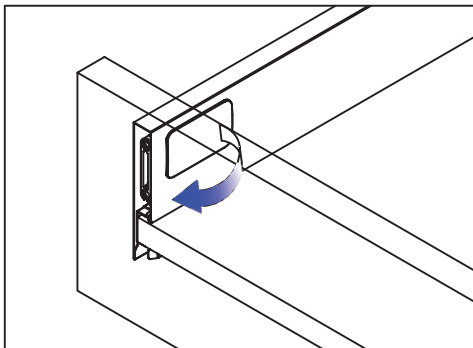


ARORA

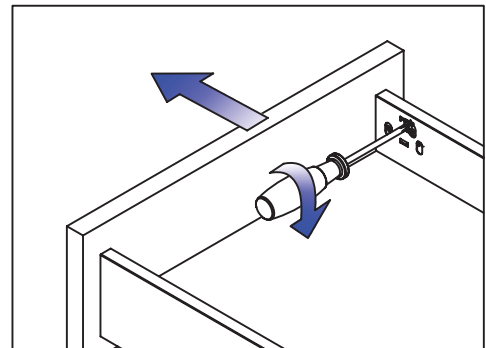
Bathroom Vanity

ABFARBXXX

REMOVE DRAWER FRONT

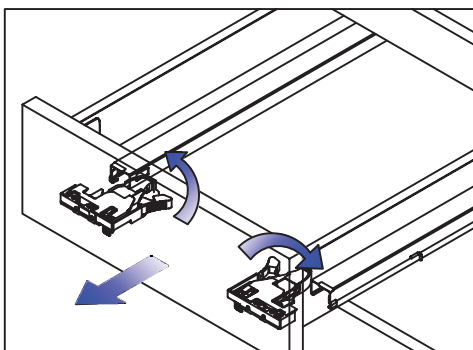


TIP UP COVER CAP



RELEASE DRAWER

REMOVE DRAWER



REMOVE DRAWER